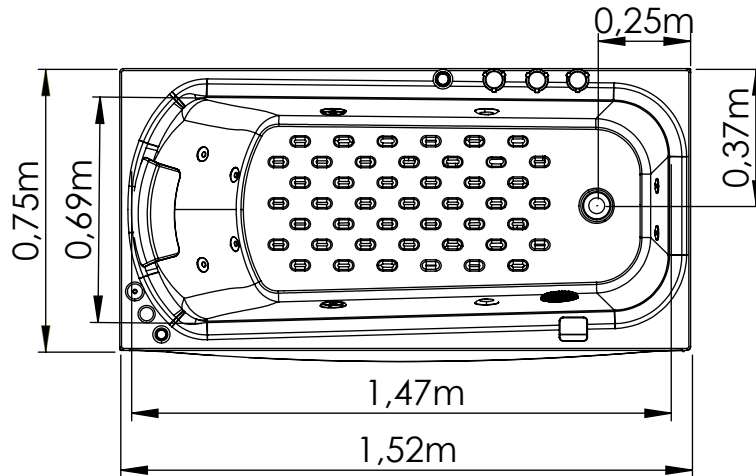
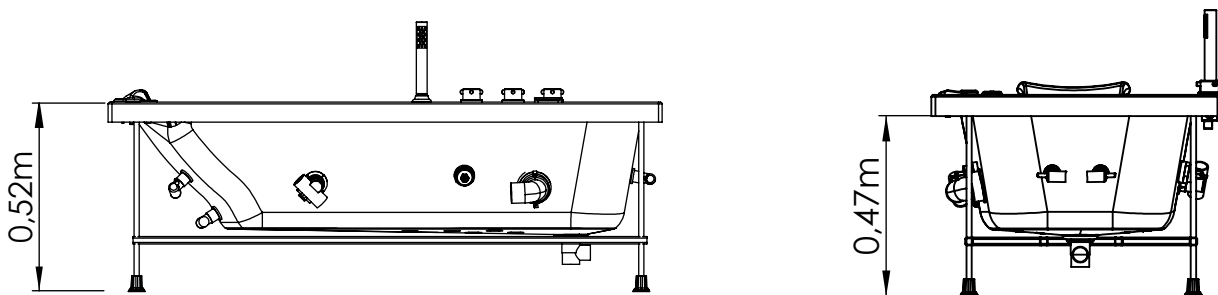


VISTA EN PLANTA / UPPER VIEW



VISTA LATERAL / LATERAL VIEW



VISTA ISOMETRICO / ISOMETRIC VIEW

